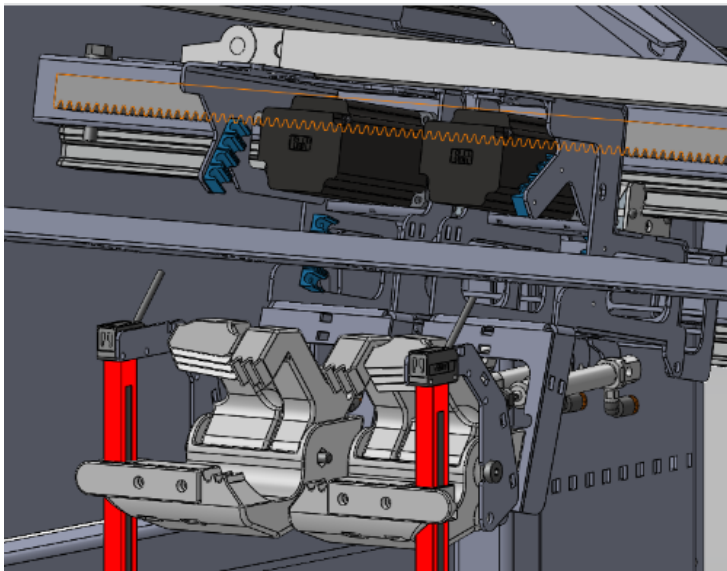


PROJECT - Mechanical engineering TWIN TOOL REDESIGN



In our towel feeder we use two multi-functional tools to spread a towel before it is laid flat on a conveyor. The two tools must move on the same axis, but move independently of each other.

Our current rack and pinion solution is not reliable in terms of durability and the resistance that the motors encounter. The rack and the gear currently need to be almost completely parallel to not induce resistance, but this is difficult to achieve with the tolerances we are working within. Ideally the solution should be lightweight to increase the speed by which the tools can accelerate.



THE PROJECT

Develop a better solution for running two tools on the same axis

Increase the durability
Have a compact and lightweight construction
The solution should be easy to assemble and maintain.

YOUR PROFILE

ID- Robot - Mechanics - Other
Interest in mechanical design

INWATEC LAUNDRYNERDS

Inwatec ApS develops and produces machines and robots for industrial laundries worldwide. We are a fast-moving company in rapid development and our team is creative and dynamic, with very dedicated employees. We love our informal work environment, where every idea is taken seriously and everybody is treated equally. On Fridays, we meet at our bar for an after-work beer, a barbecue or some ping-pong.

Sounds good? What are you waiting for?
Apply now at www.inwatec.dk/job



Inwatec ApS - Hvidkærvej 30 - 5250 Odense SV

